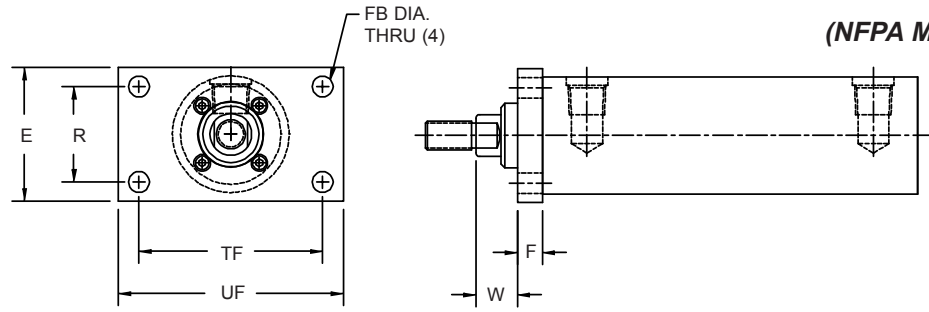


DURAMITE CYLINDERS

DURAMITE II ROUND NFPA Series DRN Cylinders

FRONT FLANGE MOUNT

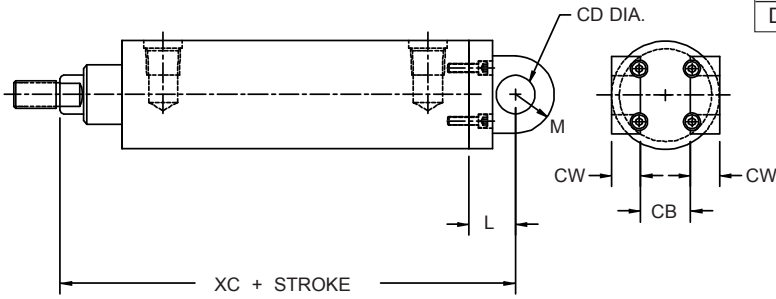
(NFPA MF-1)



MODEL NUMBER	BORE SIZE	E	F	FB	R	TF	UF	W
DRN15	1 1/2	2	3/8	9/32	1.43	2.75	3 3/8	5/8
DRN20	2	2 1/2	3/8	11/32	1.84	3.38	4 1/8	5/8
DRN25	2 1/2	3	3/8	11/32	2.19	3.88	4 5/8	5/8
DRN32	3 1/4	3 3/4	5/8	13/32	2.76	4.69	5 1/2	3/4
DRN40	4	4 1/2	5/8	13/32	3.32	5.44	6 1/4	3/4

CLEVIS MOUNT

(NFPA MP-1)

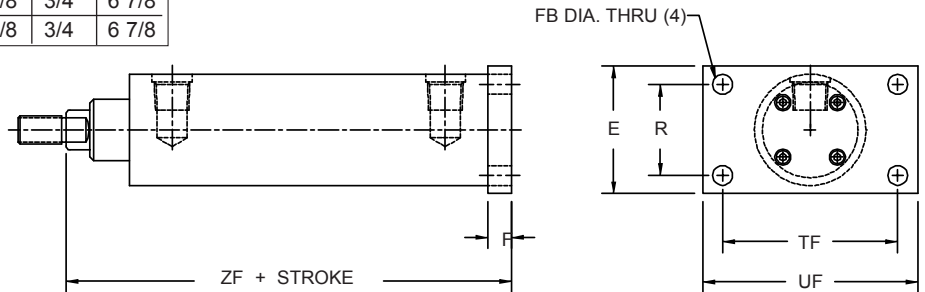


MODEL NUMBER	BORE SIZE	CB	CD	CW	L	LR	M	XC
DRN15	1 1/2	3/4	1/2	1/2	3/4	9/16	1/2	5 3/8
DRN20	2	3/4	1/2	1/2	3/4	3/4	1/2	5 3/8
DRN25	2 1/2	3/4	1/2	1/2	3/4	3/4	1/2	5 1/2
DRN32	3 1/4	1 1/4	3/4	5/8	1 1/4	1 1/8	3/4	6 7/8
DRN40	4	1 1/4	3/4	5/8	1 1/4	1 1/8	3/4	6 7/8

PIVOT PIN INCLUDED

REAR FLANGE MOUNT

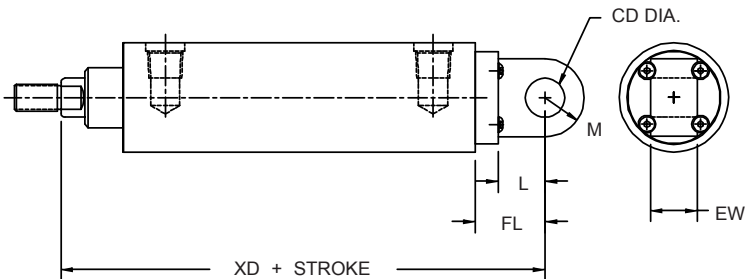
(NFPA MF-2)



MODEL NUMBER	BORE SIZE	E	F	FB	R	TF	UF	ZF
DRN15	1 1/2	2	3/8	9/32	1.43	2.75	3 3/8	5
DRN20	2	2 1/2	3/8	11/32	1.84	3.38	4 1/8	5
DRN25	2 1/2	3	3/8	11/32	2.19	3.88	4 5/8	5 1/8
DRN32	3 1/4	3 3/4	5/8	13/32	2.76	4.69	5 1/2	6 1/4
DRN40	4	4 1/2	5/8	13/32	3.32	5.44	6 1/4	6 1/4

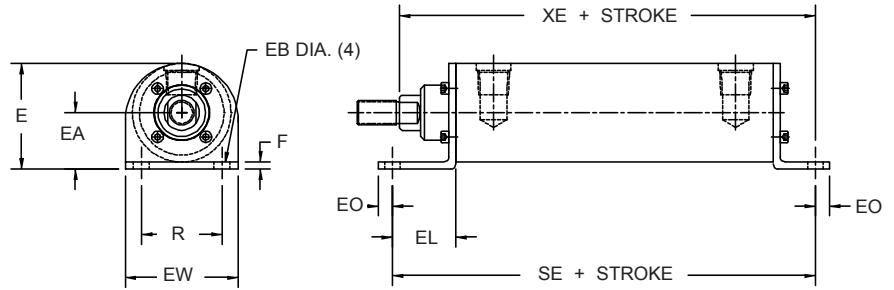
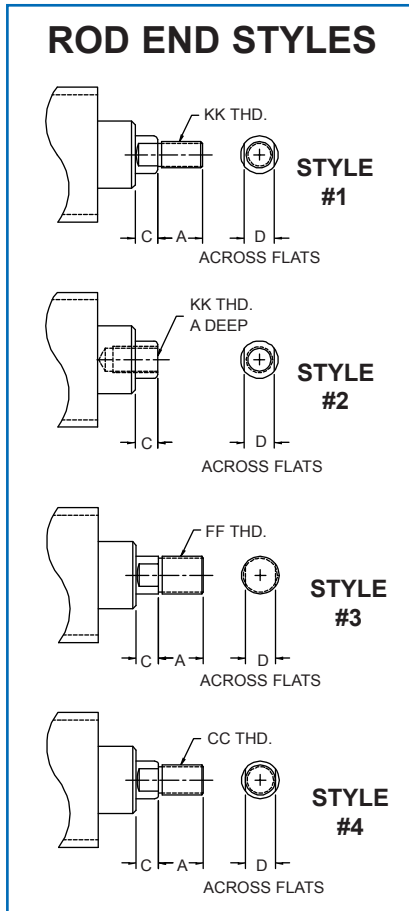
PIVOT MOUNT

(NFPA MP-4)



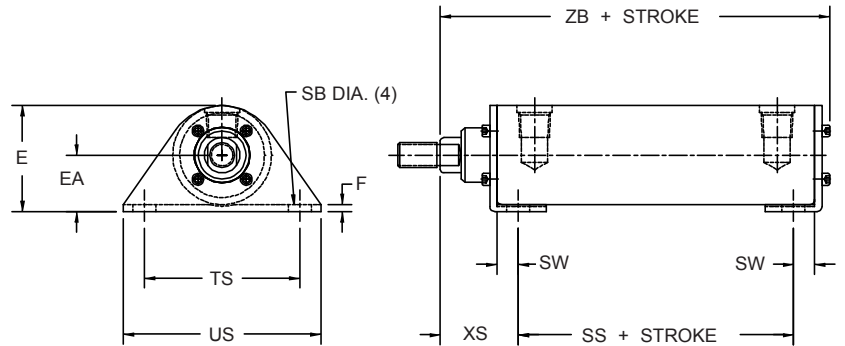
MODEL NUMBER	BORE SIZE	CD	EW	FL	L	M	XD
DRN15	1 1/2	1/2	3/4	1 1/8	3/4	1/2	5 3/4
DRN20	2	1/2	3/4	1 1/8	3/4	1/2	5 3/4
DRN25	2 1/2	1/2	3/4	1 1/8	3/4	1/2	5 7/8
DRN32	3 1/4	3/4	1 1/4	1 7/8	1 1/4	3/4	7 1/2
DRN40	4	3/4	1 1/4	1 7/8	1 1/4	3/4	7 1/2

PIVOT PIN NOT INCLUDED, SEE PAGE 10



MODEL NUMBER	BORE SIZE	E	EA	EB	EL	EQ	EW	F	R	SE	XE
DRN15	1 1/2	1 7/8	1	9/32	1 1/8	1/4	2	1/8	1.43	5 1/2	5 3/8
DRN20	2	2 3/8	1 1/4	11/32	1 5/16	5/16	2 7/16	1/8	1.84	5 7/8	5 9/16
DRN25	2 1/2	2 7/8	1 1/2	11/32	1 7/16	7/16	3	3/16	2.19	6 1/4	5 13/16
DRN32	3 1/4	3 5/8	1 7/8	13/32	1 1/2	3/8	3 1/2	1/4	2.76	6 5/8	6 1/2
DRN40	4	4 3/8	2 1/4	13/32	1 5/8	3/8	4 1/4	5/16	3.32	6 7/8	6 5/8

SIDE LUG MOUNT (NFPA MS-2)

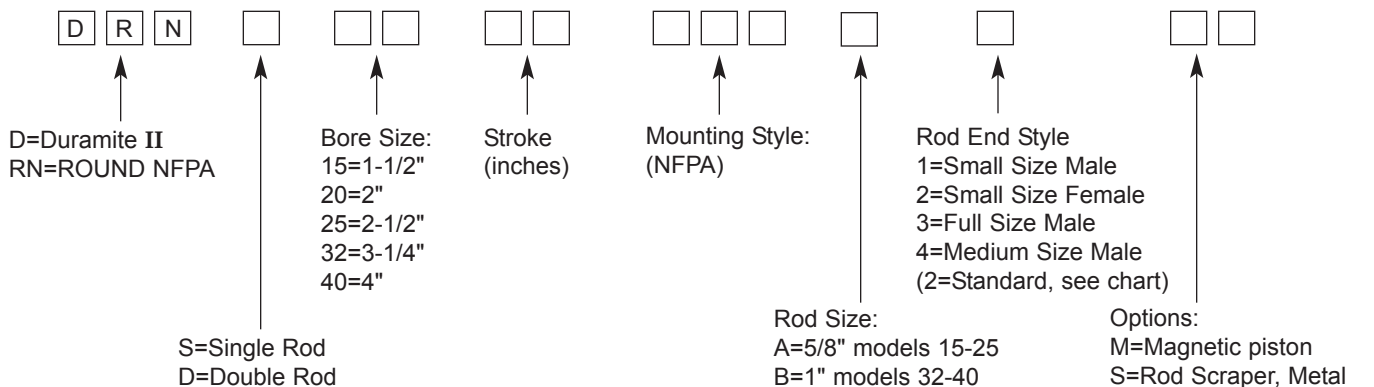


MODEL NUMBER	BORE SIZE	E	EA	F	SB	SS	SW	TS	US	XS	ZB
DRN15	1 1/2	1 7/8	1	1/8	13/32	2 7/8	3/8	2 3/4	3 1/2	1 3/8	4.92
DRN20	2	2 3/8	1 1/4	1/8	13/32	2 7/8	3/8	3 1/4	4	1 3/8	4.95
DRN25	2 1/2	2 7/8	1 1/2	3/16	13/32	3	3/8	3 3/4	4 1/2	1 3/8	5.19
DRN32	3 1/4	3 5/8	1 7/8	1/4	17/32	3 1/4	1/2	4 3/4	5 3/4	1 7/8	6.19
DRN40	4	4 3/8	2 1/4	5/16	17/32	3 1/4	1/2	5 1/2	6 1/2	1 7/8	6.25

ROD END STYLES

ROD DIA	A	C	D	CC	FF	KK
5/8	3/4	3/8	1/2	1/2-20	5/8-18	7/16-20
1	1 1/8	1/2	7/8	7/8-14	1-14	3/4-16

HOW TO ORDER (DURAMITE II ROUND SERIES)



Examples:

1-1/2" bore Single Rod with 12" stroke with MP-4 mounting and Low Friction: DRNS1512MP4A1L.

4" bore Double Rod with 6" stroke with MF-1 mounting, and Bumpers: DRND4006MF1B1B.

3-1/4" bore Single Rod with 4.25" stroke with MS-2 mounting, Female Rod End and Hydraulic: DRNS324.25MS2B2H.