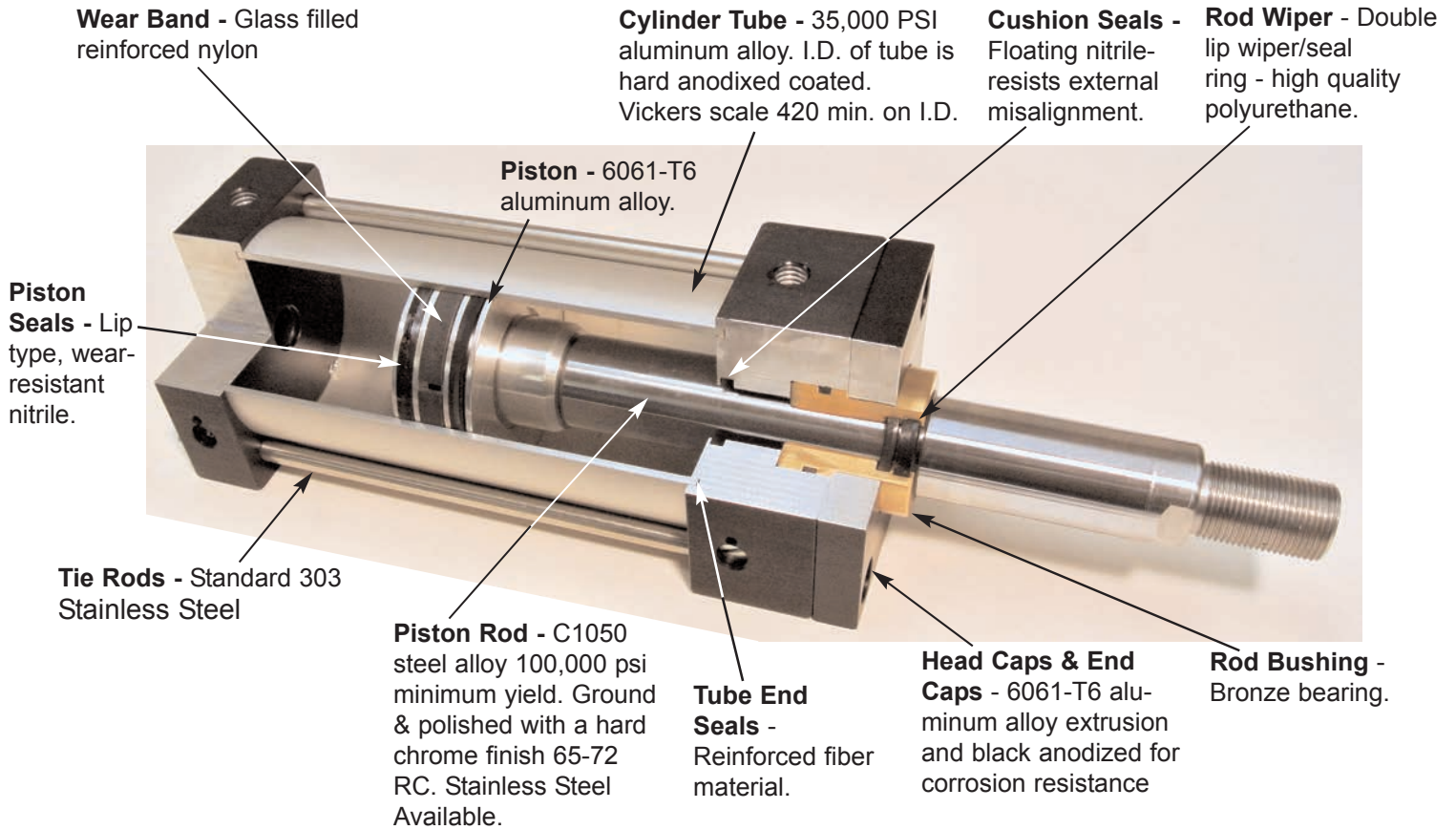


# All Cylinder Components Are Precision Machined From The Finest Materials



## HOW TO ORDER

### NFPA DS SERIES DURAMOUNT CYLINDERS ARE SPECIFIED AS:

**NOTE: Model 15 (1.50" Bore)**  
**Not Available With Front Cushion or Front Bumper When Ordered With 1" Rod.**

□	□	□ □	□ □	□ □ □	□	□	□ □
D							
D - DURAMASTER CYLINDERS	D = Double Rod S = Single Rod	Bore Size 15 = 1 1/2" 20 = 2" 25 = 2 1/2" 32 = 3 1/4" 40 = 4" 50 = 5" 60 = 6" 80 = 8"	Stroke (Inches)	Mounting Style NFPA	Rod Diameter A = 5/8" B = 1" C = 1 3/8" D = 1 3/4"	Rod End Style #1 #2 #3 #4	Additional Options M = Magnetic Piston S = Rod Scraper (Metal) C = Both Cushions R = Rear Cushions F = Front Cushion **H = Hydraulic *** B = Bumpers (both ends supplied) S1 = Stainless Steel Piston Rod X = Other

**EXAMPLES:**

- DD 20 12 MS4 A 1 C DURAMASTER Cylinder, Double Rod, 2" Bore X 12" Stroke, Basic Cylinder MS4, 5/8" Rod Dia., Male Rod End 7/16-20, Both Cushions.
- DS 32 18 MF1 C1 HR DURAMASTER Cylinder, Single Rod, 3 1/4" Bore X 18" Stroke, Front Flange Mount, 1 3/8" Rod, Dia., Male Rod End 1-14, Hydraulic, Rear Cushion.
- DS 60 08 MS2 C2 CS DURAMASTER Cylinder, Single Rod, 6" Bore X 8" Stroke, Side Lug Mount, 1 3/8" Rod Dia., Female Rod End 1-14, Both Cushions, Rod Scraper.

**NOTES:**

\*\*Poly Pak loaded seals supplied when hydraulic. Consult factory for air over oil service.  
 \*\*\*Decreases stroke by 1/16". Model 15 with 1" rod - not available with front bumper.