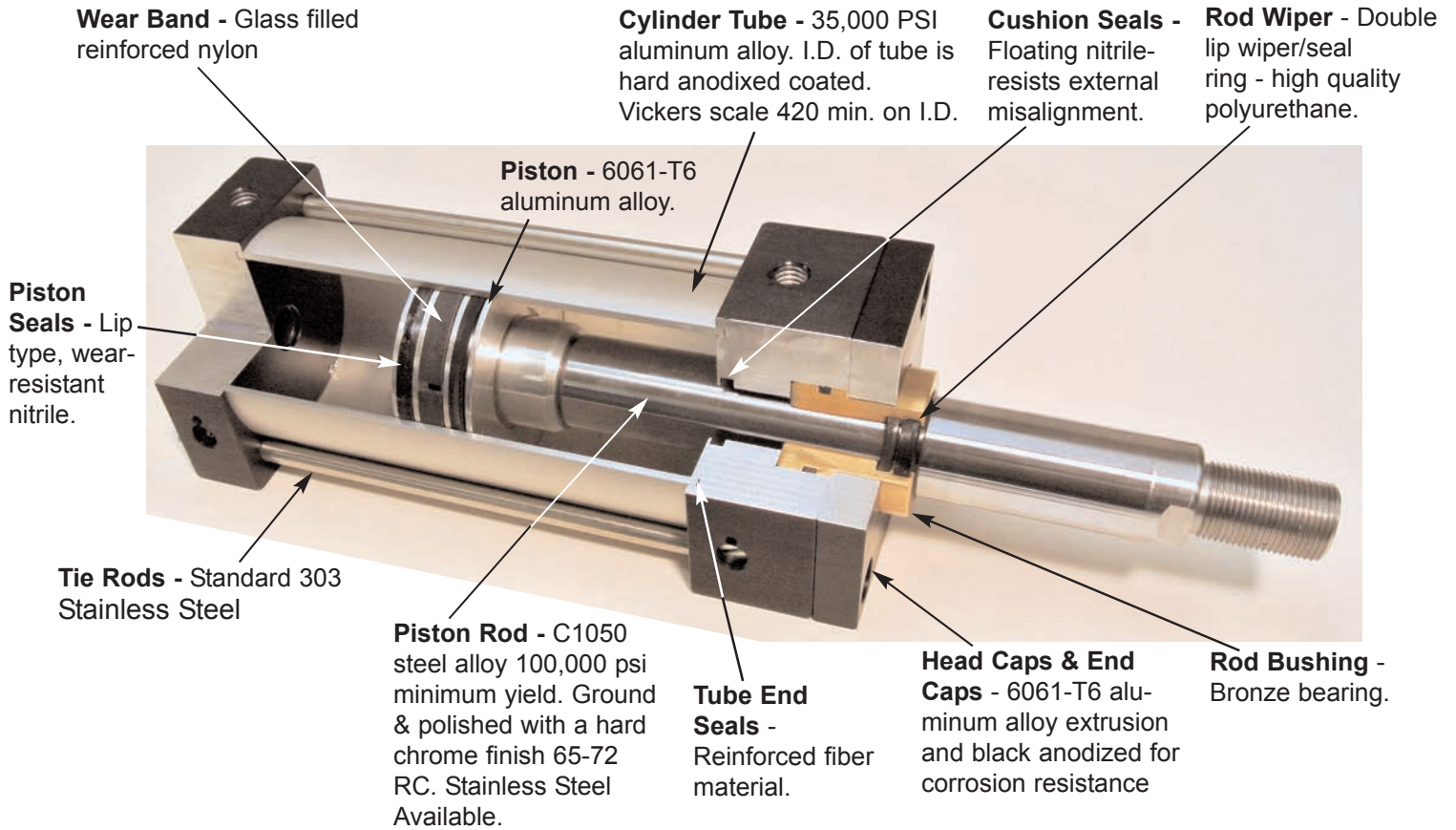


All Cylinder Components Are Precision Machined From The Finest Materials



HOW TO ORDER

NFPA DS SERIES DURAMOUNT CYLINDERS ARE SPECIFIED AS:

NOTE: Model 15 (1.50" Bore)
Not Available With Front Cushion or Front Bumper When Ordered With 1" Rod.

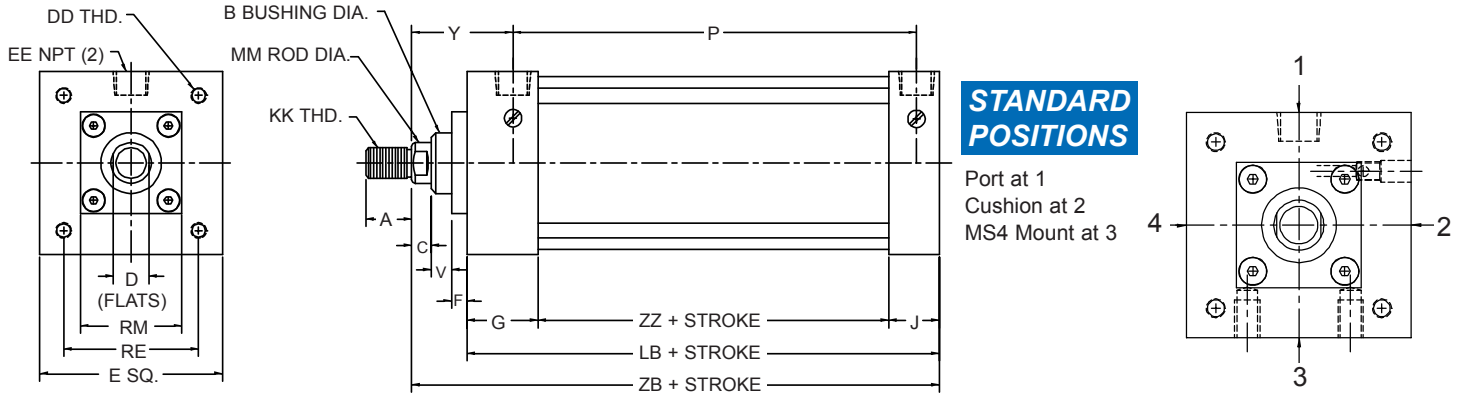
□	□	□ □	□ □	□ □ □	□	□	□ □
D							
D - DURAMASTER CYLINDERS	D = Double Rod S = Single Rod	Bore Size 15 = 1 1/2" 20 = 2" 25 = 2 1/2" 32 = 3 1/4" 40 = 4" 50 = 5" 60 = 6" 80 = 8"	Stroke (Inches)	Mounting Style NFPA	Rod Diameter A = 5/8" B = 1" C = 1 3/8" D = 1 3/4"	Rod End Style #1 #2 #3 #4	Additional Options M = Magnetic Piston S = Rod Scraper (Metal) C = Both Cushions R = Rear Cushions F = Front Cushion **H = Hydraulic *** B = Bumpers (both ends supplied) S1 = Stainless Steel Piston Rod X = Other

EXAMPLES:

- DD 20 12 MS4 A 1 C DURAMASTER Cylinder, Double Rod, 2" Bore X 12" Stroke, Basic Cylinder MS4, 5/8" Rod Dia., Male Rod End 7/16-20, Both Cushions.
- DS 32 18 MF1 C1 HR DURAMASTER Cylinder, Single Rod, 3 1/4" Bore X 18" Stroke, Front Flange Mount, 1 3/8" Rod, Dia., Male Rod End 1-14, Hydraulic, Rear Cushion.
- DS 60 08 MS2 C2 CS DURAMASTER Cylinder, Single Rod, 6" Bore X 8" Stroke, Side Lug Mount, 1 3/8" Rod Dia., Female Rod End 1-14, Both Cushions, Rod Scraper.

NOTES:

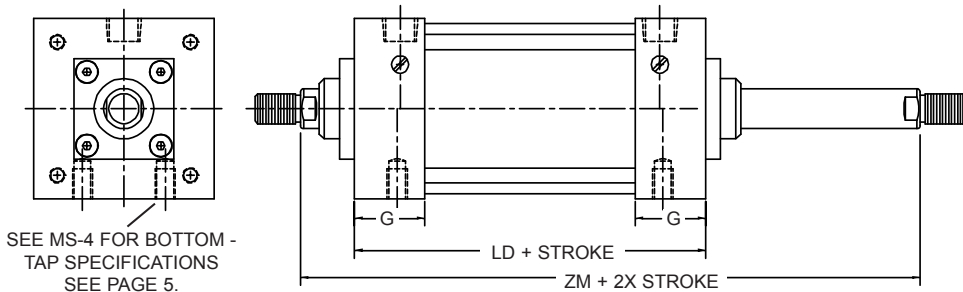
**Poly Pak loaded seals supplied when hydraulic. Consult factory for air over oil service.
 ***Decreases stroke by 1/16". Model 15 with 1" rod - not available with front bumper.



NFPA DS SERIES DURAMOUNT CYLINDER DIMENSIONS

BORE	1 1/2"		2"		2 1/2"		3 1/4"		4"		5"		6"		8"	
ROD DIA.	5/8"	1"	5/8"	1"	5/8"	1"	1"	1 3/8"	1"	1 3/8"	1"	1 3/8"	1 3/8"	1 3/4"	1 3/8"	1 3/4"
A	3/4"	1 1/8"	3/4"	1 1/8"	3/4"	1 1/8"	1 1/8"	1 5/8"	1 1/8"	1 5/8"	1 1/8"	1 5/8"	1 5/8"	2"	1 5/8"	2"
B	1 1/8"	1 1/2"	1 1/8"	1 1/2"	1 1/8"	1 1/2"	1 1/2"	2"	1 1/2"	2"	1 1/2"	2"	2"	2 3/8"	2"	2 3/8"
C	3/8"	1/2"	3/8"	1/2"	3/8"	1/2"	1/2"	5/8"	1/2"	5/8"	1/2"	5/8"	5/8"	3/4"	5/8"	3/4"
D	1/2"	7/8"	1/2"	7/8"	1/2"	7/8"	7/8"	1 1/4"	7/8"	1 1/4"	7/8"	1 1/4"	1 1/4"	1 5/8"	1 1/4"	1 5/8"
E	2"		2 1/2"		3"		3 3/4"		4 1/2"		5 1/2"		6 1/2"		8 1/2"	
EE	3/8"		3/8"		3/8"		1/2"		1/2"		1/2"		3/4"		3/4"	
F	3/8"		3/8"		3/8"		5/8"		3/8"		3/8"		3/8"		5/8"	
G	1 1/2"		1 1/2"		1 1/2"		1 3/4"		1 3/4"		1 3/4"		2"		2"	
J	1"		1"		1"		1 1/4"		1 1/4"		1 1/4"		1 1/2"		1 1/2"	
KK	7/16-20	3/4-16	7/16-20	3/4-16	7/16-20	3/4-16	3/4-16	1-14	3/4-16	1-14	3/4-16	1-14	1-14	1 1/4-12	1-14	1 1/4-12
LB	3 5/8"		3 5/8"		3 3/4"		4 1/4"		4 1/4"		4 1/2"		5"		5 1/8"	
MM	5/8"	1"	5/8"	1"	5/8"	1"	1"	1 3/8"	1"	1 3/8"	1"	1 3/8"	1 3/8"	1 3/4"	1 3/8"	1 3/4"
P	2 3/16"		2 3/16"		2 5/16"		2 9/16"		2 9/16"		2 13/16"		3 1/16"		3 1/16"	
RE	1.43		1.84		2.19		2.76		3.32		4.10		4.88		6.44	
RM	2" SQ		2 1/2" SQ		3" SQ		3 3/4" SQ		2 1/2" SQ		2 1/2" SQ		2 1/2" SQ 3 3/4" SQ		2 1/2" SQ 3 3/4" SQ	
V	1/4"	1/2"	1/4"	1/2"	1/4"	1/2"	1/4"	3/8"	1/2"	5/8"	1/2"	5/8"	5/8"	3/8"	5/8"	3/8"
Y	2"	2 3/8"	2"	2 3/8"	2"	2 3/8"	2 1/2"	2 3/4"	2 1/2"	2 3/4"	2 1/2"	2 3/4"	2 7/8"	3"	2 7/8"	3"
ZB	4 5/8"	5"	4 5/8"	5"	4 3/4"	5 1/8"	5 5/8"	5 7/8"	5 5/8"	5 7/8"	5 7/8"	6 1/8"	6 5/8"	6 3/4"	6 3/4"	6 7/8"
ZZ	1 1/8"		1 1/8"		1 1/4"		1 1/4"		1 1/4"		1 1/2"		1 1/2"		1 5/8"	
DD	1/4-28		5/16-24		5/16-24		3/8-24		3/8-24		1/2-20		1/2-20		5/8-18	

DOUBLE ROD END



DOUBLE ROD END

BORE	1 1/2"		2"		2 1/2"		3 1/4"		4"		5"		6"		8"	
ROD DIA.	5/8"	1"	5/8"	1"	5/8"	1"	1"	1 3/8"	1"	1 3/8"	1"	1 3/8"	1 3/8"	1 3/4"	1 3/8"	1 3/4"
G	1 1/2"		1 1/2"		1 1/2"		1 3/4"		1 3/4"		1 3/4"		2"		2"	
LD	4 1/8"		4.1/8"		4 1/4"		4 3/4"		4 3/4"		5"		5 1/2"		5 5/8"	
ZM	6 1/8"	6 7/8"	6 1/8"	6 7/8"	6 1/4"	7"	7 1/2"	8"	7 1/2"	8"	7 3/4"	8 1/4"	8 3/4"	9 1/4"	8 7/8"	9 3/8"

1-1/2" BORE WITH 1" ROD - EXPOSED NUTS REQUIRED.